

White Glass Microscope Slides, Clipped Corners, Beveled Edges

Item# 1384-10 / 1384-20 / 1384-30 / 1384-50B, 1384-50G, 1384-50N, 1384-50P, 1384-50W, 1384-50Y



1384-10 - Plain slide



1384-20 - Frosted slide



1384-50P - Pink color coded slide

Description

Globe Scientific's Diamond White Glass microscope slides are produced from superior quality white glass and provide exceptional clarity, low self-fluorescence and uniform thickness. The glass is formulated for minimal oxidation, which ensures sample integrity during long-term storage. This top quality line is designed for the most demanding applications. The beveled edges of these slides make them ideal for performing blood smears. The highly polished edges are specially angled at 45° to provide a secure grasp during the smearing process.

Features

- Produced from the finest quality optical white glass
- Packed in high-quality plastic boxes
- All slides are pre-cleaned and ready to use
- Available plain, frosted and color coded
- Clipped corners, beveled edges
- Dimensions: 25mm x 75mm (±0.5mm)
- Thickness: 1.1mm

Packaging:

- 72/plastic box,
20 boxes/case
(10 gross)



Products

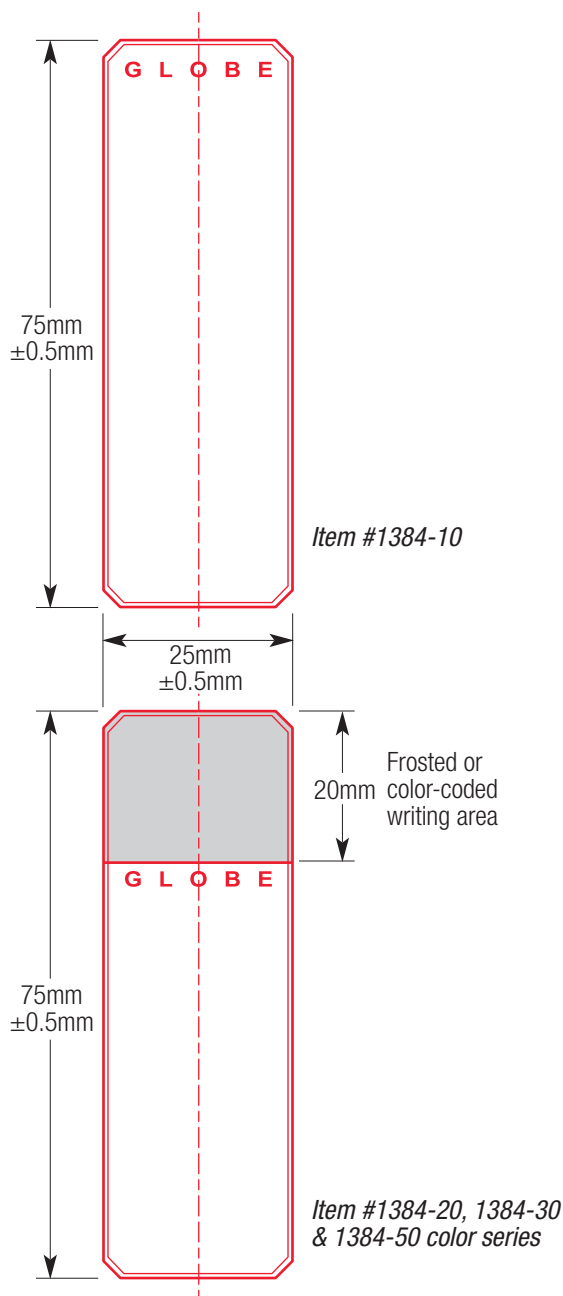
Item#	Description	Unit
1384-10	Plain	1440
1384-20	Frosted 1 end, 1 side	1440
1384-30	Frosted 1 end, 2 sides	1440
1384-50B*	Frosted, blue	1440
1384-50G*	Frosted, green	1440
1384-50N*	Frosted, orange	1440
1384-50P	Frosted, pink	1440
1384-50W	Frosted, white	1440
1384-50Y*	Frosted, yellow	1440

*Available by special order.

Continued . . .

White Glass Microscope Slides, Clipped Corners, Beveled Edges

Item# 1384-10 / 1384-20 / 1384-30 / 1384-50B, 1384-50G, 1384-50N, 1384-50P, 1384-50W, 1384-50Y



Technical Specifications

Dimensions:

Width: 25mm (±0.5mm)

Length: 75mm (±0.5mm)

Thickness: 1.1mm

Chemical Composition: Substance by Weight(%)

Silicon Dioxide, SiO₂: 72.87

Sodium Oxide, Na₂O: 13.64

Potassium Oxide, K₂O: 1.51

Calcium Oxide, CaO: 6.44

Magnesium Oxide, MgO: 3.68

Aluminum Oxide, Al₂O₃: 1.27

Ferric Oxide, Fe₂O₃: 0.015

Sulfur Trioxide, SO₃: 0.15

Physical and Chemical Properties:

Thermal Coefficient of Expansion: (30°C~300°C) 9.03×10⁻⁶/°C

Softening Point: 743.0°C

Annealing Range: 567.2°C

Strain Point: 522.1°C

Density: 2.4336 g/cm³

Stability and Reactivity:

Stability: Stable

Hydrolytic Resistance: Hydrolytic Class-HGB3 (ISO 719 or GB/T 6582)

Acid Resistance: Acid Class-H2 (DIN 12 116 or GB/T 15728)

Alkali Resistance: Alkali Class-A2 (DIN ISO 695 or GB/T 6580)

Hazardous Decomposition: Stable

Materials to Avoid: Strong Hot Alkali Solutions (Hydrofluoric, Fluosilicic and Phosphoric)



Customer service, sales and technical support:

Phone 1 (800) 394-4562 • 1 (201) 599-1400

Fax 1 (201) 599-1406

E-mail mail@globescientific.com

Globe Scientific Inc.

400 Corporate Drive • Mahwah NJ 07430

www.globescientific.com